

ANKARA

Seamless Edge Stainless Steel Sink

GENERAL

Fine quality sink bowls formed of 18 gauge BA 304 18/10 nickel bearing stainless steel.

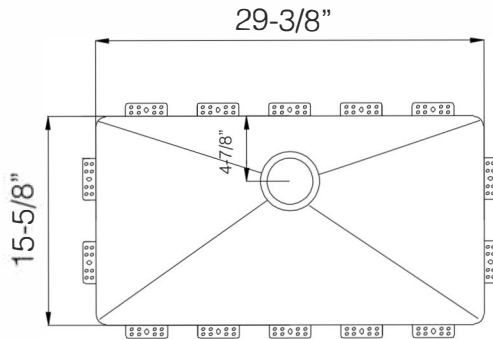
DESIGN FEATURES

Bowl Depth : 9"
Finish : Soft Satin Finish
Underside : Aluminum Coated Premium
Sound Absorbing Pads
Drain Opening : 3-1/2"

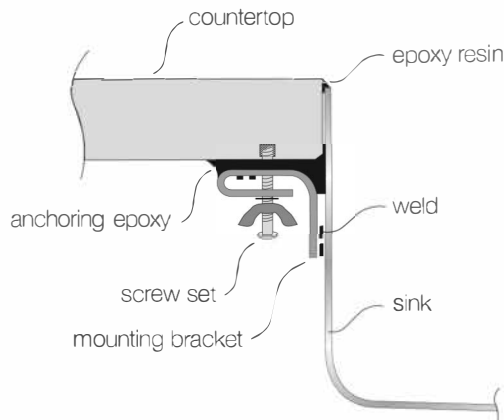
OPTIONAL ACCESSORIES

Stainless Steel Bottom Grid
Bamboo Cutting Board
Glass Cutting Board
Stainless Steel Colander
Stainless Steel Drying Rack

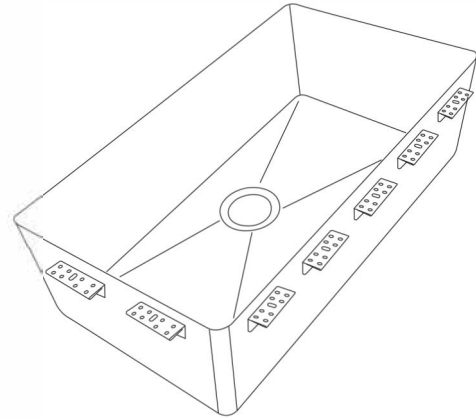
SINK DIMENSIONS (INCHES)



INSTALLATION PROFILE *



SPECIFICATIONS



"U.S. and Foreign Patents Pending"

